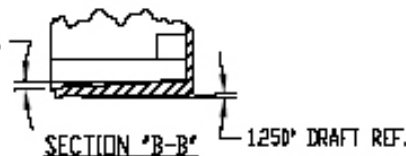
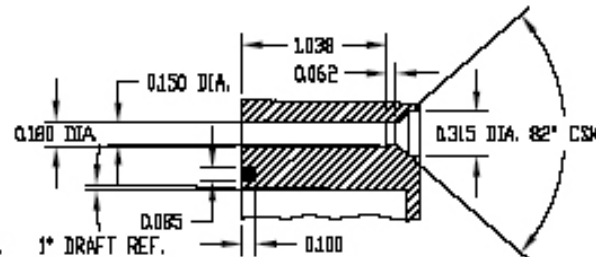


SECTION "C-C"

* DIMENSIONS ARE AT
BOTTOM OF ENCLOSURE



SECTION "B-B"



DETAIL "E"

MATERIAL: ALUMINUM ALLOY #ADC-10

FINISH: NATURAL (NO SUFFIX)

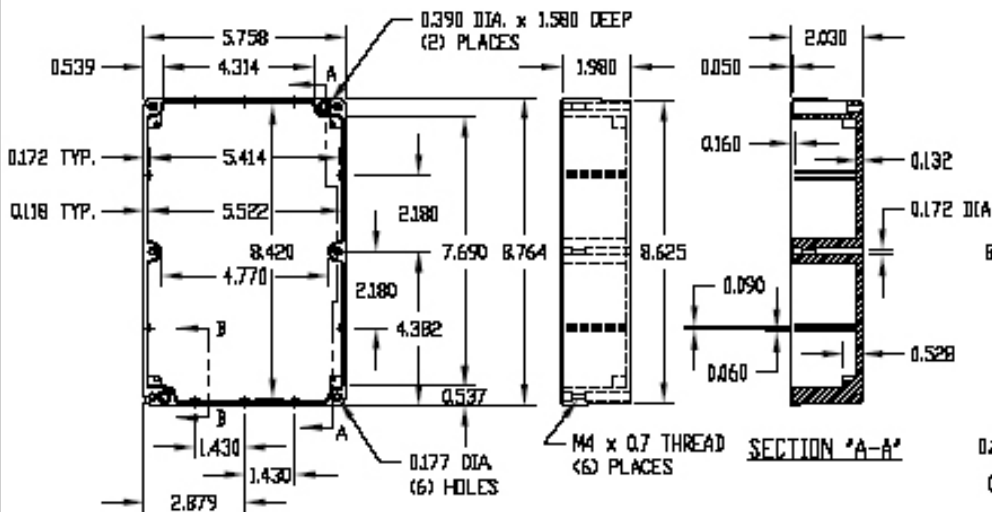
GRAY (SUFFIX -G)

SMOOTH BLACK (SUFFIX -B)

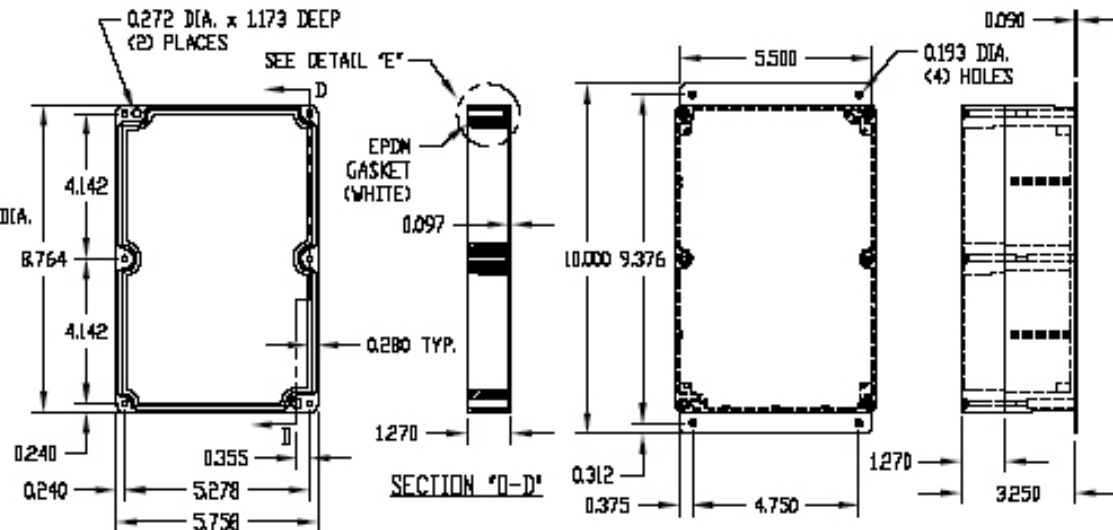
SIX (6) M4 x 40mm (1.575") LG. STAINLESS
STEEL SCREWS SUPPLIED FOR ASSEMBLY

TWO (2) M3.5 x 6mm (0.236") LG. NICKEL
PLATED SCREWS AND LOCKWASHERS
SUPPLIED FOR GROUNDING

ALL DIMENSIONS HAVE ±0.015 TOLERANCE
UNLESS OTHERWISE SPECIFIED



SECTION "A-A"



SECTION "D-D"

COVER



BODY

PART NO. AN-2808 & AN-2808-B
ARE SUPPLIED WITH A WELDED
ON MOUNTING BRACKET ONLY.